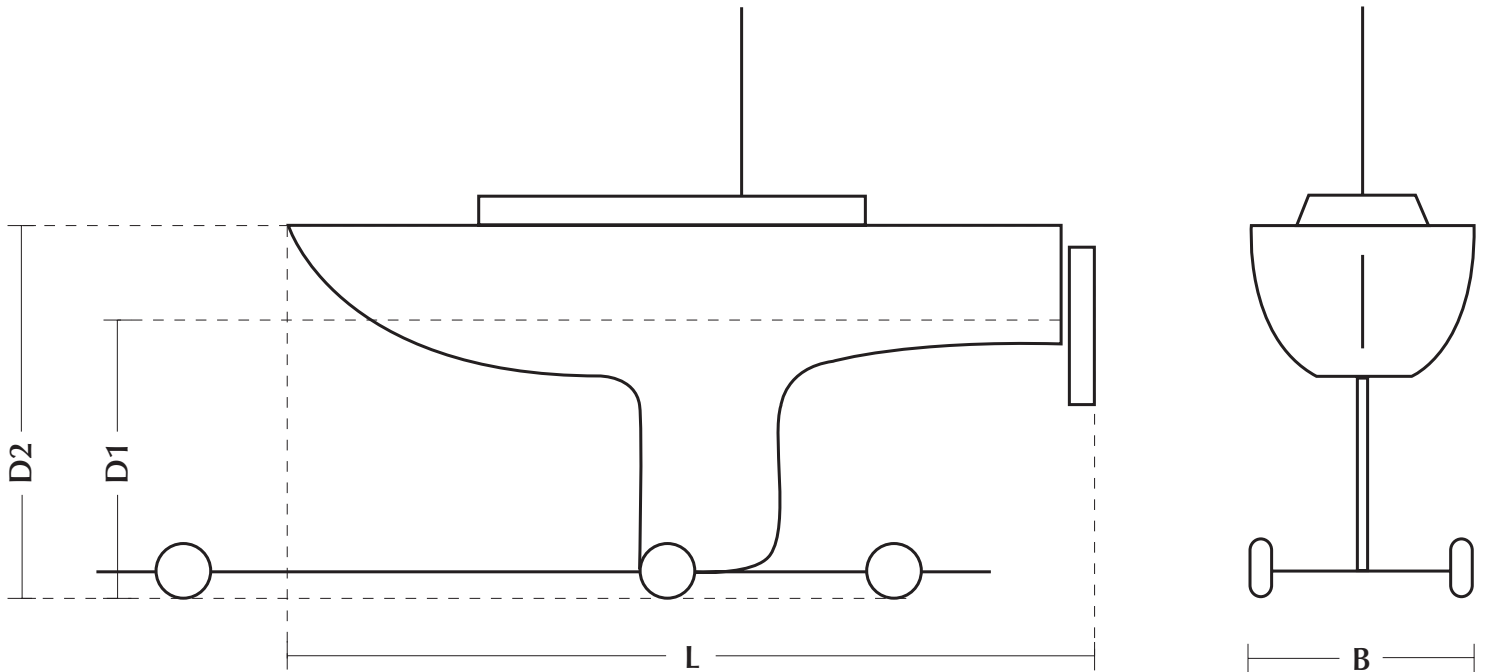




QUOTATION APPLICATION KEELBOAT MEASUREMENT



- L** - Length overall includes pulpit and pushpit or davits _____ m/ft
 (for outboard engines or transom mounted rudders, maximum length will be measured with the rudder in the center and the engine trimmed down).
- B** - Maximum beam - exterior of trailer wheels or extreme beam of the craft _____ m/ft
 whichever is greater
- D1** - Draft from the waterline to the ground with the boat on its trailer _____ m/ft
- D2** - Draft from the deck to the ground with the boat on its trailer. _____ m/ft

I _____ (name) would like to store my sailing yacht in the RSYC.

Herein is provided the measurement of my boat to allow the RSYC to assess my request and provide a quotation for berthing fees.

Name of sailing yacht: _____ License/ Registration No.: _____

HP: _____ Fax: _____ E-mail: _____

Signature: _____ Date: _____

Send via fax 6768 9230 or contact Marine Department at 6768 9233 or email marina@rsyc.org.sg for enquiries and reservations.

For official use

Based on the information you have provided we are pleased to offer you keel boat storage at S\$ _____ per month. (excluding GST)

TERMS AND CONDITIONS

- This quotation is based on the measurements provided and subject to verification.
- Space is subject to availability.
- Prices are subject to prevailing GST.
- Dry storage is only available to members.



Republic of Singapore Yacht Club
 52 West Coast Ferry Road Singapore 126887
 Tel: 6768 9288 Fax: 6768 9280
 Email: info@rsyc.org.sg Website: www.rsyc.org.sg
 Position (WGS 84) Lat 01°17.6'N Long 103°45.7'E